



TECHNOLOGY • PERFORMANCE • DESIGN

Kappa

SURROUND



Instruction Manual

Congratulations on choosing Infinity KAPPA Series Loudspeakers. The instructions in this manual will help you realize the full potential of your loudspeakers.

TABLE OF CONTENT

- 2 Table of contents
- 2 This box contains
- 2 Planning your system
- 3 Wall mounting
- 4 Wiring the system
- 5 Final adjustments
- 5 Care of your speaker system
- 5 Specifications

THIS BOX CONTAINS



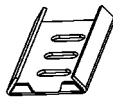
X 8



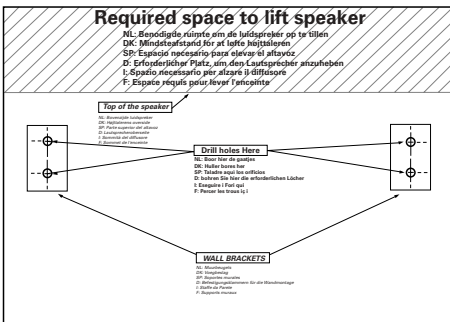
X 8



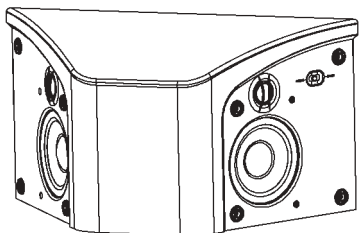
X 4



X 4



X 1



X 2

UNPACKING

The packing materials of your KAPPA Series speakers are designed to protect the loudspeakers from any damage due to rough handling during shipment. We strongly suggest that you keep the packing material for future purposes, in case you move or if your loudspeakers should require service.

Choosing Proper Placement and Setup

The Infinity Kappa Surround speaker can be used in side or rear channel applications. Please refer to the placement and setup method for your application. The first step is to determine the application for which your Infinity Kappa Surround speaker will be used.

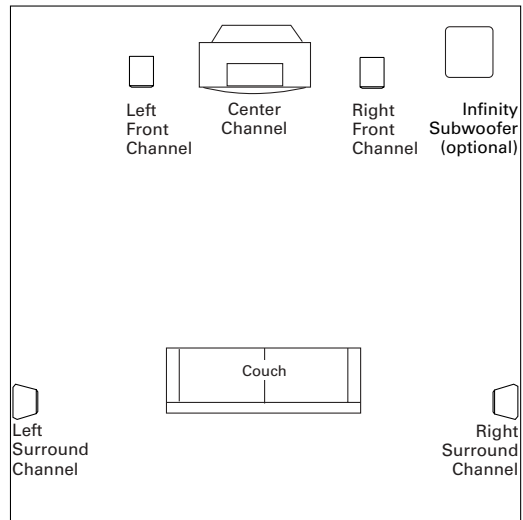
If you are using the Infinity Kappa Surround for surround channels in a 5-channel home theater system or for side channels in a 6- or 7-channel home theater system, please follow the directions in the section "Placement (Application 1)".

If you are using the Infinity Kappa Surround as a rear speaker in a 6- or 7-channel home theater system, please follow the directions in the section "Placement (Application 2)".

Placement (Application 1)

When using the Infinity Kappa Surround for surround channels in a 5-channel home theater system or for side channels in a 6- or 7 channel home theater system, refer to Figure 1. The speakers should be placed perpendicular to or slightly behind the primary listening location, as shown.

(Figure 1)- This overhead view shows a typical home theater plan.



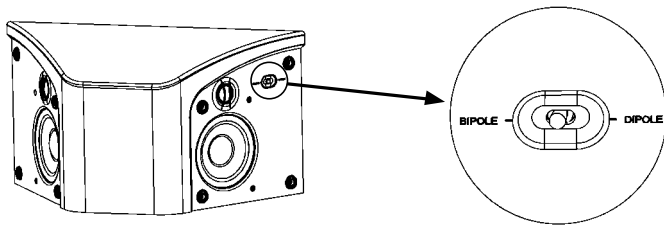
Setting the Surround Configuration Selector

The Surround Configuration Selector switch is located under the right-hand grille. (Refer to Figure 2)

It is generally recommended that the Surround Configuration Selector be set to BIPOLE. This will provide a large ambient surround sound field while allowing for precise localization of sound effects that the film maker has placed in the surround tracks.

If you are using a receiver/processor with a THX® surround mode and have selected the THX surround mode, it may be beneficial to set the Surround Configuration Selector to DIPOLE. This is a matter of personal preference and may change depending on the individual film soundtrack. It is also recommended that the Dipole setting be used with older recordings that are only recorded with a Dolby* Pro Logic* (not the newer Dolby Digital) soundtrack.

Figure 2 - Surround configuration selector switch location.



KAPPA SURROUND

IMPORTANT NOTE:

Your Kappa surround speakers are marked “LEFT” and “RIGHT”. Please observe the correct positions to ensure optimum performance.

Placement (Application 2)

When using the Infinity Kappa Surround as a rear speaker in a 6- or 7-channel home theater system. (Refer to Figures 3 and 4)

The speaker(s) should be mounted on the rear wall facing the listening area, between the side channel speakers. If you are using one rear speaker, it should be mounted as close as possible to the center of the listening area. When using two rear speakers, they should be spaced evenly within the width of the listening area.

Setting the Surround Configuration Selector

The Surround Configuration Selector switch is located under the right-hand grille. (Refer to Figure 2)

When used as a rear channel speaker in a 6- or 7-channel system, it is recommended that the Surround Mode Configuration Selector be set to BIPOLE.

Figure 3 - This overhead view shows a typical home theater plan with a single rear-center surround channel.

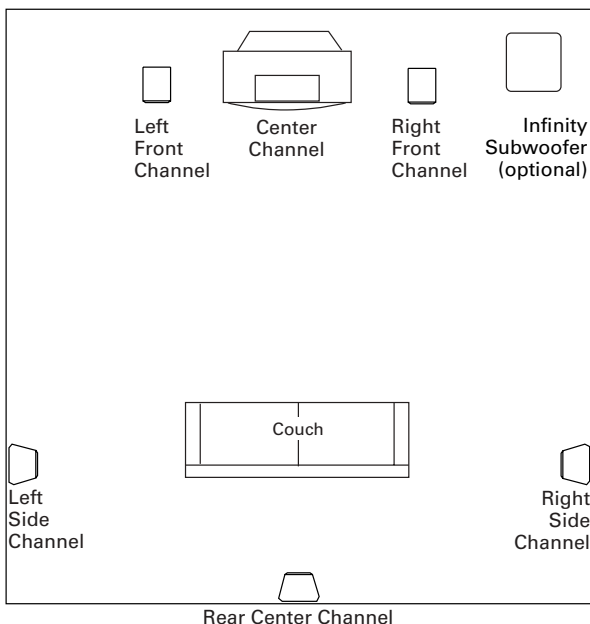
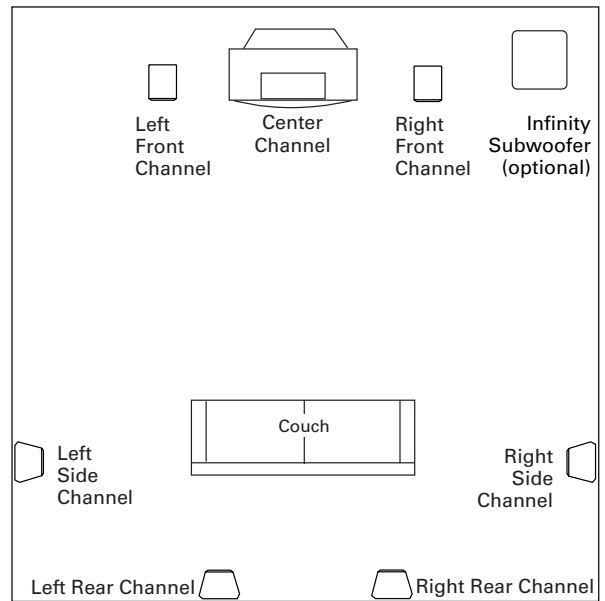


Figure 4 - This overhead view shows a typical home theater plan when using two rear-channel speakers.



WALL MOUNTING

The Kappa Surround speaker is designed to mount directly to a wall. Each speaker has two mounting brackets. These bracket have two parts. One part is attached at the factory to the speaker and the second part must be attached by the user to the wall.

Use the supplied template to mark the position of the brackets on the wall. This must be done accurately to ensure that the speaker can be hung without difficulty.

If the wall is constructed from brick or concrete, you may use the supplied screws and wall plugs to attach the brackets. A 7 mm drill will be required to make suitable holes.

If the wall is of cavity construction using plasterboard (or similar dry lining material) you should use purpose-designed cavity fixing toggles which are available from most do-it-yourself stores.

IMPORTANT:

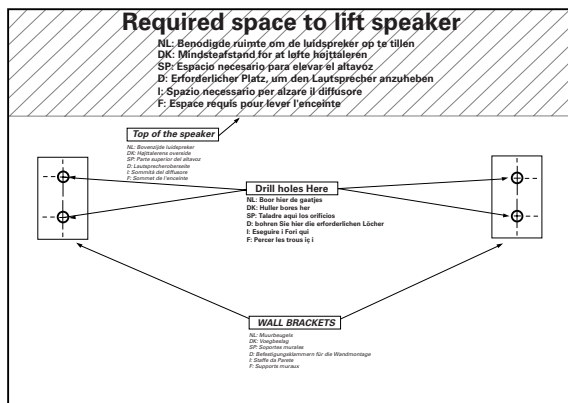
Ensure that the fixing toggles are specifically marked as being suitable for loads greater than 8 kg.

IMPORTANT NOTE :

The user is responsible for correct fixing of the wall brackets to the wall. The supplied screws and plugs are generally suitable in the case of well-constructed brick or concrete walls, but the user must assure himself that they are suitable for his particular application. In the case of walls of cavity construction, or walls using materials other than brick or concrete, the user should seek specialist advice to help select the most appropriate fixing method.

Step 1. Position the supplied template (Refer to Figure 5) on the wall in the desired speaker location. Mark the required holes (two for each bracket).

Figure 5 - Mounting template.



Step 2. In the case of walls constructed from brick or concrete, drill holes using a 7 mm drill. Insert supplied wall plugs into the holes and then attach the brackets using the supplied screws.

In the case of walls of cavity construction, or walls made of materials other than brick or concrete, use alternative fixings specifically designed for the appropriate materials. These are not supplied with your Kappa Surround speakers, but can be obtained from do-it-yourself shops.

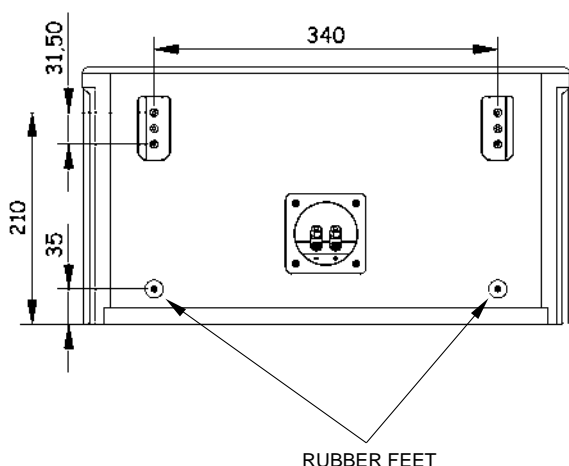
IMPORTANT:

Before drilling holes in the wall, you should verify that there are no electrical or water lines in the wall.

Step 3. Fit the two self-adhesive rubber feet as shown on Figure 6.

Step 4. Attach speaker wire as shown in the section “WIRING THE SYSTEM” on page 4. Lift speaker to allow brackets on rear of speaker to align with brackets on the wall. It will be necessary to lift the speaker a little higher than your intended final position to allow the two parts of the brackets to link. Allow the bracket to slide together

Figure 6 - Kappa surround - Rear view.



WIRING THE SYSTEM

IMPORTANT:

Make sure all equipment is turned off before making any connections.

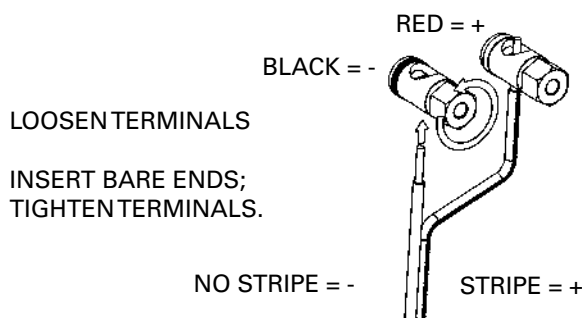
For speaker connections, use a minimum 1.3 mm² (16-gauge) speaker wire with polarity coding. The side of the wire with a ridge or other coding is usually considered positive polarity (i.e., +). Heavier-gauge wire should be used when more than 15 meters of speaker wire is required. The wire channels on the rear of the Infinity Kappa Surround will accommodate most types of 2 mm² to 0.8 mm² wire (14- to 18- gauge).

NOTE:

If desired, consult your local Infinity dealer about speaker wire and connection options.

The speakers have coded terminals that accept a variety of wire connectors. The most common connection is shown in figure 7.

Figure 7 This example shows how to connect bare wires to the terminals. Banana plugs may also be inserted directly into the rear of the connector.



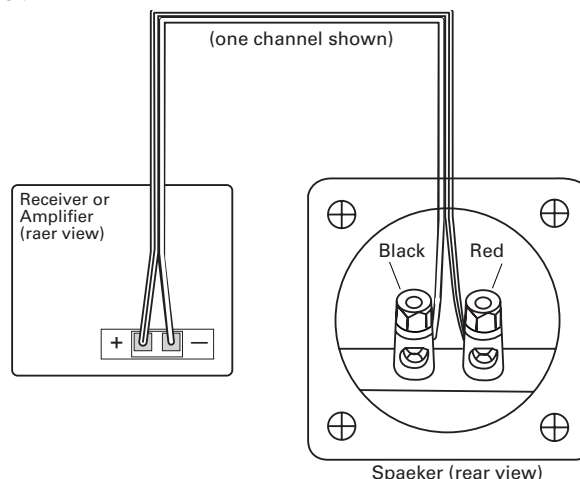
NOTE:

Banana plugs will protrude past the speaker enclosure, requiring a small cutout in the wall behind the speaker. Speaker wire may be run through this hole as well.

To ensure proper polarity, connect each + terminal on the back of the amplifier or receiver to the respective + (red) terminal on each speaker, as shown on figure 8.

Connect the - (black) terminals in a similar way. See the owner’s guides that were included with your amplifier or receiver to confirm connection procedures.

Figure 8 - Wiring diagram shows polarity connections for one channel.



IMPORTANT:

Do not reverse polarities (i.e., + to - or - to +) when making connections. Doing so will cause poor imaging and diminished bass response.

FINAL ADJUSTMENTS

Check the speakers for playback first by setting the system volume control to a minimum level, and then by applying power to your audio system. Play a favorite music or video segment and increase the system volume control to a comfortable level.

NOTE:

You should hear balanced audio reproduction across the entire frequency spectrum. If not, check all wiring connections or consult the authorized Infinity dealer from whom you purchased the system for more help.

When the Infinity Kappa Surround speakers are used as part of a Dolby Digital or DTS® multichannel home theater system with a powered subwoofer, it is recommended that you set your receiver/processor speaker mode to “small” or “high-pass” for all channels connected to an Infinity Kappa Surround. In addition, some receivers/processors allow you to adjust the high-pass frequency for the “small” or “high-pass” setting. If your receiver/processor has this capability, it is recommended that you set the highpass frequency to the lowest setting above 70Hz. Consult your receiver/processor manual for more information about these adjustments.

The placement and setup instructions in this manual are written in general terms to cover most typical installations. We realize that each room is different and that your specific installation may require some modification to these guidelines. You can be sure that if you need to install the speakers outside the guidelines in the manual, they will still deliver excellent sound with any music or film soundtrack.

Feel free to experiment with the Surround Mode Selector Switch to determine the best settings in your room with your system.

CARE OF YOUR SPEAKER SYSTEM

Your Infinity speaker cabinets are in genuine wood veneer which requires very little maintenance. Dust the enclosures with a name brand furniture polish. The grilles may be cleaned by using a vacuum cleaner on the low power setting.

SPECIFICATIONS

Infinity Kappa Surround

Frequency Range (± 3 dB):	55 Hz – 27 kHz
Recommended Amplifier Power range:	35 – 100 Watts
Sensitivity (2.83V @ 1 meter):	
Dipole mode:	87 dB
Bipole mode:	89 dB
Nominal Impedance:	6 ohms
Crossover Frequency:	2,6 kHz; 24dB/octave
Low-Frequency Drivers:	Dual 130 mm “C.M.M.D.”
High-Frequency Driver:	Dual 25 mm “C.M.M.D.”
Dimensions (H x W x D):	255 x 480 x 220 mm
Weight:	8 kg

Infinity constantly strives to update and improve existing products, as well as create new ones. Therefore, the specifications and construction details in this and related publications are subject to change without notice.

Declaration of Conformity



We, Harman Consumer International
2, route de Tours
72500 Château-du-Loir
FRANCE

declare in own responsibility, that the product described in this owner's manual is in compliance with technical standards:

EN 50081-1:1992

EN 50082-1:1992

R. Marshall
Harman Consumer International
FRANCE 10/02



TECHNOLOGY • PERFORMANCE • DESIGN

www.infinitysystems.com

Infinity - 2, route de Tours - 72500 Château-du-Loir - France
250 Crossways Park Drive, Woodbury, NY 11797, USA

H A Harman International Company